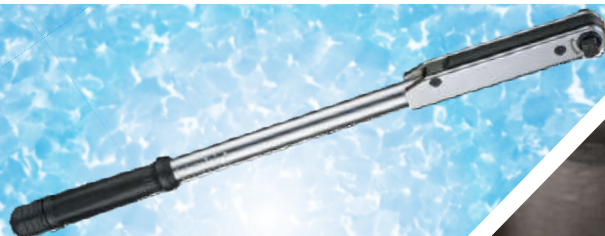


ELECTRIC TORQUE WRENCH



TUBE TOOLS



SHINGARE
INDUSTRIES PVT LTD

MANUFACTURER & EXPORTER OF

Tube Cleaners, Tube Tools,
Tube Expanders, Bolting Tools, Impact Sockets,
Pipe Beveling Machines, Pipe Cold Cutting Machines,
High Pressure Water Jet Cleaning Machines & Tapping Machines

Education is necessary but not a pre-requisite for success in life. Bhartiya Industries is the best example of this theory. **Mr. Suryakant Shingare** (HARIBHAL), the founder of the company is a non-matriculate technocrat with more than 10 years experience in flexible shaft manufacturing. He founded this company in 1989.



Basic Products:

Engineering products is our forte. We manufacture engineering products such as tube expander, tube cleaner, tube tools, hydraulic tube expansion, tube pulling, and pipe beveling machines. We also deal in manufacture of flexible shaft grinders, construction equipment, hydraulic torque wrench, impact socket, pneumatic tapping machines, and many more...

Brief History of the Company:



We were a small industry until 2003 engaged in production and supply of different types of flexible shafts for tube cleaning, brushes, flexible shaft grinder, and concrete vibrators. The year 2003 was a watershed year for the company.

Mr. Pradip Shingare, son of **Mr. Hari Shingare**, graduated from Mumbai University with a degree in Mechanical Engineering. He had great plans to take the company forward on the route to expansion. He ventured into export of the engineering products. By 2008, the company acquired the reputation as the largest exporter of tube cleaning machines and flexible shafts in India.

The year 2009 saw the expansion of the company into manufacture of products such as Tube expander, tube tools, and tube pulling machines. The company witnessed a record double-digit growth in this product range. In 2011, the company started developing a product range of pipe beveling machines. These machines are extremely popular in India as well as in the overseas market. The year 2013 witnessed the company foray into imports of different types of tools such as tapping tools, grinding tools, etc making us the leading player in India in these categories.

The year 2015 saw us entering into the sugar industry component with the manufacture of the Heavy Duty Sugar Dust Collector machine, FlexRepair40 machine.

In 2016, we added **SHINGARE INDUSTRIES PVT. LTD.** a new company in our group. We were awarded ISO 9001:2015 certification for strictly followed quality norms and processes.

Dedicated Staff:

We have a dedicated team of more than 40 people, many of whom are with us since the early days of the company. We have an excellent blend of youth, knowledge, and experience in our ranks.

Export oriented:

We export over 60% of our products to more than 55 countries all over the globe.

Expansion:

We feel the need to expand our business to enable us to serve the people of this country better. With this aim in mind, we established a new company in the name of SHINGARE INDUSTRIES PVT. LTD.

Our main motto of business is “Growth with Trust.”

Our mission is to innovate and create an import substitute products in India.

CONTENTS

Sr. No.	Product	Page
1.	EWS Series	4-5
2.	EWH Series-	5-6
3.	ESL Series	7
4.	Torque Wrench	8
5.	Hand Torque Multipliers	9

Our Successful Participation in Trade Fairs and Conventions in INDIA and Overseas.



SISSTA BENGALURU 2015



SISSTA, CHENNAI 2016



STAI, NEW DELHI 2016



SISSTA, TIRUPATI 2017

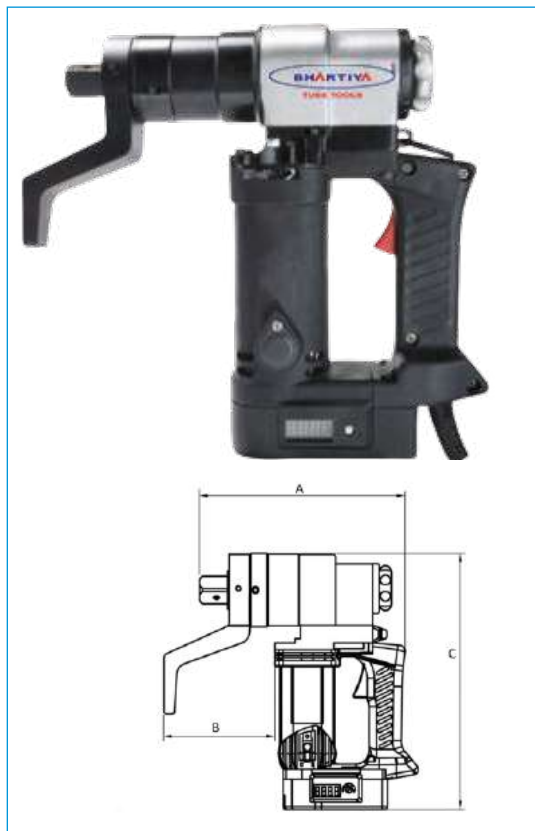


MAHATECH, PUNE 2015

EWS SERIES

EWS Electric torque wrench is designed to install heavy hex structural bolts. It has square drive end so that same machine can be used for different hexagon nut by using suitable socket. It shuts off when the torque requirements is reached. The tools offers a non-reactive torque controlled option for hex bolt installation. This series of wrenches adopts German motors. Strong power, Durable and Stable performance are its famous features.

These tools are used for a variety of different tasks across many industries – including home repairs and maintenance, automotive and construction. It's important to always use this tool in applications where screws and bolts must be secure and tight. These tools allow the user to measure the amount of pressure being applied to fasteners, to ensure it matches the recommended specifications for the job.



FEATURES:

- Easy switch directions Applying reaction arm to closet object, Tighten up to target torque.
- Perfect solution for your work at narrow space.
- Ultra compact socket with an integrated reaction arm.
- Easily set your target torque with dial on the Controller.
- Versatile performance of our electric torque wrench for bridge construction, steel fabrication and any kind of heavy industry.
- Available with both direction forward and reverse.
- Shortest profile and compact socket make accessible to bolts at any narrow space.

EWS SERIES

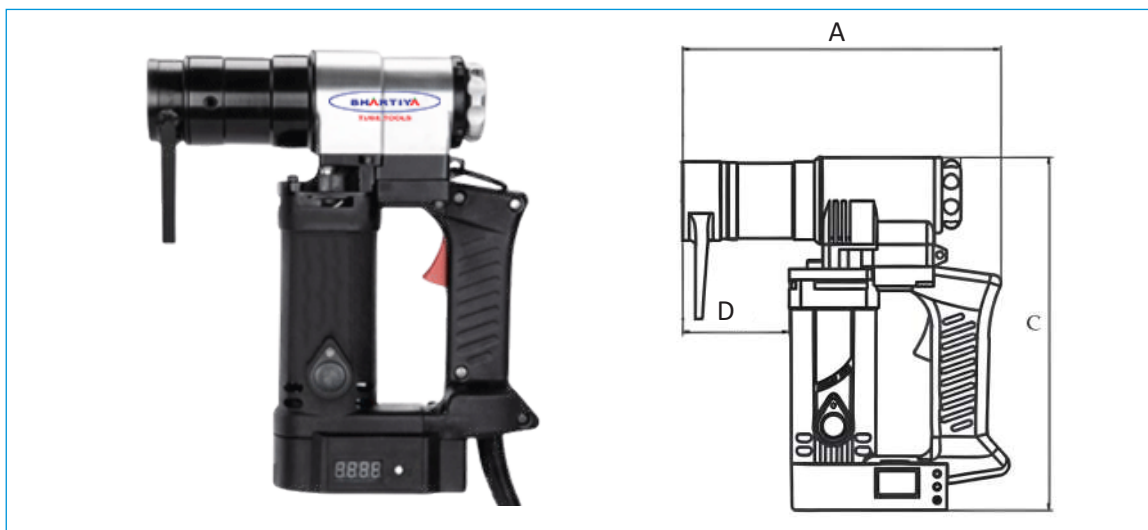
APPLICATION:

Model No.	Torque (Nm)	Square Drive	Weight (Kg)	Speed (Rpm)
EWS-3	100-300	3/4"	4.4	24
EWS-5	200-500	3/4"	4.5	15.5
EWS-7	300-700	1"	4.7	15
EWS-9	400-900	1"	5.3	9.5
EWS-12	500-1200	1"	5.5	9
EWS -18	500-1800	1"	6.0	6
EWS-21	1000-2100	1.1/2"	6.6	6
EWS-25	1100-2500	1.1/2"	8.5	5
EWS-35	1700-3500	1.1/2"	12	2.5
EWS-60	3000-6000	1.1/2"	18.5	0.6
EWS-100	5000-10000	2.1/2"	21	0.3

EWH SERIES

Electric torque wrench is designed to install heavy hex structural bolts, non-impact, electricity. It has square drive end so that same machine can be used for different hexagon nut by using suitable socket. It shuts off when the torque requirements is reached. The tools offers a non-reactive torque controlled option for hex bolt installation. This series of wrenches adopts German motors. Strong power, Durable and Stable performance are its famous features.

These tools are used for a variety of different tasks across many industries – including home repairs and maintenance, automotive and construction. It's important to always use this tool in applications where screws and bolts must be secure and tight. These tools allow the user to measure the amount of pressure being applied to fasteners, to ensure it matches the recommended specifications for the job.



ELECTRIC TORQUE WRENCHES



TUBE TOOLS

EWH SERIES



FEATURES:

- Available with both direction forward and reverse.
- Shortest profile and compact socket make accessible to bolts at any narrow space.
- Easy switch directions Applying reaction arm to closet object, Tighten up to target torque.
- Perfect solution for your work at narrow space.
- Easily set your target torque with dial on the Controller.
- Versatile performance of our electric torque wrench for bridge construction, steel fabrication and any kind of heavy industry.
- Ultra compact socket with an integrated reaction arm

APPLICATION:

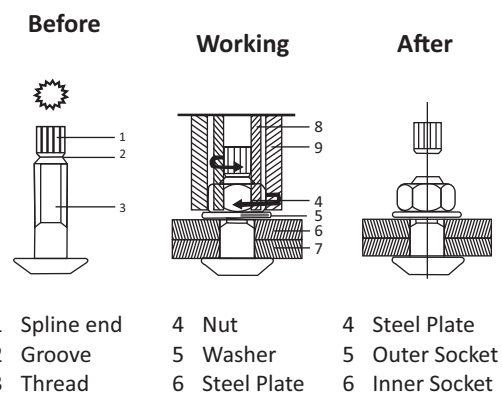
Model No.	Torque (Nm)	Speed (Rpm)	Weight (Kg)	Direct Hex Available	Diameter	Overwall Length A (mm)	Overwall Width C (mm)
EWH-3	100-300	28	4	M10,M12,M16	80	240	267
EWH-5	200-500	20	4.2	M12,M16,M20	111	271	267
EWH-7	300-700	18	4.6	M16,M20,M22	54	221	269
EWH-9	400-900	16	5.1	M20,M22,M24	71	238	275
EWH-12	500-1200	14	6.3	M22,M24,M27	50	225	287
EWH-17	800-1700	12	7	M24,M27,M30	81	286	287
EWH-21	1000-2100	10	7.2	M27,M30,M33	95	274	286
EWH-25	1100-2500	5	9	M30,M33,M36	107	283	293
EWH-35	1700-3500	4.5	15	M33,M36,M42	107	283	293

ESL SERIES

To Install TC Bolts, you need a ESL series shear wrenches. This is an electric wrench with counter-rotating sockets. The proper gun for each diameter bolt should be determined. TC bolts are structural bolts used for steel structure construction. Therefore, these bolts are created to provide the highest... Moreover, though its fastening mechanism is complicated, TC bolts are easy to use and can be installed by just one person. The inbuilt functionalities of these bolts allow for determining the tensioning required to hold together a structure With the help of this functionality, users can also figure out whether the required tension has been achieved, regardless of how much torque was applied to achieve the tension.



Electric Shear Wrench Working Principle



FEATURES:

- All Shear Wrenches are calibrated and certified on in-house test bench in our facility.
- Hence, this wrench is very suitable for various complex construction environments.
- Bharitya ESL-Series light weight and compact shear wrenches provide consistent, reliable torque tightening and shearing to the tension control bolts.
- Bhartiya Electric Shear Wrenches are capable of achieving controllable torque range of 5000 Nm with supported bolt sizes till M36.
- Compared with general shear wrench , Electric Shear Wrench biggest feature is that the working head can rotate 360 degrees horizontally relative to the position of the handle.

APPLICATION:

Model No.	Torque (Nm)	Bolt Size (Nm)	Weight (Kg)	Speed (Rpm)
ESL-16	320	M12,M16	3.8	36
ESL-2	540	M12,M16,M20	6	24
ESL-22	910	M16,M20,M22	6.8	20
ESL-24	1200	M20,M22,M24	8	14
ESL-27	1700	M22,M24,M27	8.3	12
ESL-30	2500	M24,M27,M30	10.5	5
ESL-33	3500	M27,M30,M33	15	4.5
ESL-36	5000	M30,M33,M36	17	2.5

TORQUE WRENCHES

Torque Wrench is calibrated tool recommended for use in controlled tightening of nuts & bolts to avoid over/under stressing. **Bhartiya Torque Wrenches** are **Preset/Adjustable** click type torque wrenches which are available in **ratchet** and **non ratchet types**. These torque wrenches are compact, light weight & rigid to suit the rugged working conditions prevailing in Indian industries particularly the automobile sector.

Our torque wrenches are being very successfully used by Many heavy industrial organization in India. Besides these all Vehicle & Automobile manufacturers are extensively using our Torque Wrenches.

FEATURES:

Bhartiya Torque Wrench is a fast acting precision spanner cum instrument of an entirely new design for tightening of bolts & nuts to the required Torque. The Torque Wrenches are available in a set of 12 models covering Torque requirement from 3 to 2500 Nm.

Bhartiya Torque Wrench calibrated to an accuracy of 3% on Electronic calibrators & our Equipment sare traceable to National Physical Laboratories, an important prerequisite for ISO 9000. Each & every Torque Wrench is accompanied with is Calibration Certificate. These are also traceable National Standard sand we guarantee our Torque Wrenches against any premature failure. These torque wrenches are also available in special production model to suit exact Torque requirement and critical application that do not have direct access.



APPLICATION:

Automobile, Heavy Engineering, Petrochemicals, Fertilizers, Aeronautics & Defence Organisations etc.

Non-Ratcheting	Ratchet	Torque Range				Square Drive		Length		Weight	
		N.m	Kg.m	Lbf.in	Lbf.ft	Inch	Mm	Inch	Mm	Inch	Mm
BTW-100	BTW-100 R	3-11	0.3-1.2	20-100	2-8	3/8	9.52	12.52	318	1.23	0.56
BTW-300	BTW-300 R	5-11	0.5-3.4	40-300	4-24	3/8	9.52	16.60	422	1.32	0.60
BTW-600	BTW-600 R	12-68	1.2-7	100-600	10-50	1/2	12.7	18.74	476	2.25	1.02
BTW-1200	BTW-1200 R	25-135	3-14	200-1200	20-100	1/2	12.7	21.49	546	3.59	1.62
BTW-2000	BTW-2000 R	50-225	5-23	400-2000	40-160	1/2	12.7	23.50	597	5.26	2.38
BTW-3000	BTW-3000 R	70-330	7-35	600-3000	50-250	1/2	12.7	32.48	825	6.90	3.12
BTW-5000	BTW-5000 R	140-560	14-57	1200-5000	100-410	3/4	19.1	44.49	1130	13.03	5.90
BTW-7200	BTW-7200 R	200-810	20-82	1800-7200	150-600	3/4	19.1	46.49	1181	14.37	6.50
BTW-8400	BTW-8400 R	480-910	49-35	4200-8400	350-700	1	25.4	55.00	1397	24.97	11.30
BTW-12300	BTW-12300 R	700-1380	70-140	6000-12300	500-1000	1	25.4	59.25	1505	34.25	15.50
BTW-10	BTW-10 R	1015-1890	105-195	-	750-1400	1	25.4	49.56	1259	36.47	16.50
BTW-11	BTW-11 R	1350-2700	135-275	-	1000-2000	1	25.4	57.72	1466	43.10	19.50

Note: For your requirement of Direct Reading Dial Wrenches, High Precision Beam Type Wrenches, Micro meter Adjustable/Preset Production type or Interchangeable Head type Torque Wrenches please mail us stating your requirement & Torque Specifications.

HAND TORQUE MULTIPLIERS

Bhartiya Torque Multipliers are heavy duty tools used to increase the Torque produced by Torque Wrenches. They have been developed to meet the high Torque requirements and keeping in view space restrictions in Torque Wrench applications. Torque multipliers are suggested for either tightening of high tensile bolts or loosening Rusty & Frozen but bolts.

FEATURES:

Bhartiya Torque Multipliers are precision Gear units designed for multiplication of input Torque multipliers are recommended to be used where very high Torque (over 100 kg mtr.) Are required to minimize input effort. As such the use of Torque multipliers reduces the manpower required as well as the operators fatigue..

The multiplier has a gear mechanism by which the Torque applied on the input side is multiplied in a particular ratio. **Bhartiya Torque Multipliers** are available in Multiplication Factors of 5:1 & 25:1. Torque Multiplier covers Torque requirement from 100 kg mtr. To 925 kg mtr. (750 lb. Ft to 7000 lb.ft).



APPLICATION:

Bhartiya Tool Torque Wrenches are recommended to be used at the Input end to achieve an exactly calculated output Torque so the fluctuation of efficiency remains extremely small over period. It is extensively used in large Petrochemicals and Refineries.

SPECIFICATION:

Hand Torque Model No.	Maximum Output Torque			Estimated Bolt Capacity (S.Quantity)		Multipliation Factor	Female Input Sq.	Male Input Sq.	Major Dia	Depth	Recommended Torque Wrench No.	Approx Weight with Reaction Plate kg
	Lbft	Nm.	Kgf.m.	In.	Mm							
BM-1	1250	1700	170	1 1/8	28	5	1/2	3/4	115	85	BTW-3000	4.5
BM-2	1250	1700	170	1 1/8	28	5	3/4	1	115	93	BTW-3000	5.0
BM-2/25	1250	1700	170	1 1/8	28	25	1/2	1	115	120	BTW-3600	7.0
BM-5	2000	2700	275	1 3/8	35	5	3/4	1	136	100	BTW-5000	8.0
BM-5/25	2000	2700	275	1 3/8	35	25	1/2	1	136	130	BTW-1200	11.0
BM-6	2500	3400	345	1 1/2	38	5	3/4	1 1/2	136	105	BTW-8400	8.5
BM-6/25	2500	3400	345	1 1/2	38	25	1/2	1 1/2	136	130	BTW-1200	11.5
BM-7	4500	6000	622	2 1/2	62	5	3/4	1 1/2	168	125	BTW-12300	15.5
BM-7/25	4500	6000	622	2 1/2	62	25	1/2	1 1/2	168	180	BTW-3000	19.5
BM-9/25	7000	9500	965	3	75	25	3/4	1 1/2	220	170	BTW-5000	27.0

OUR MAJOR CLIENTS

Please see below our robust and valued client list that uses BHARTIYA products repeatedly. We take pride in our partnerships and the ability to grow with such amazing group of companies.



SHINGARE™
INDUSTRIES PVT LTD

SHINGARE INDUSTRIES PVT. LTD.
Formerly known as Bharatiya Industries

Manufacturer & Exporter of Tube Cleaners, Flexible Shafts, Tube Tools, Impact Sockets, Bolting Tools, Pipe Cold Cutting and Beveling Machines, Torque Tools, Grinding Tools, Tapping Tools, Hydraulic Torque Wrench, Electric Torque Wrench, Manual Torque Wrench & Torque Multiplier

Factory Add: A-48 B Osiya Mataji Compound, Village Kalher, Retibunder Road, Tal. Bhiwandi, Dist. Thane - 421302, Maharashtra.

Hade Off: A-104, 1st Floor, Eastern Business District (Magnet/Neptune Mall), L.B.S. Marg, Bhandup (west), Mumbai - 40078.

+91 77188 96512 | + 91 90290 05461 | bharatflex@yahoo.com | spradip@tubecleaner.co.in

www.shingare.com | www.tubecleaner.co.in